

AT-160240B

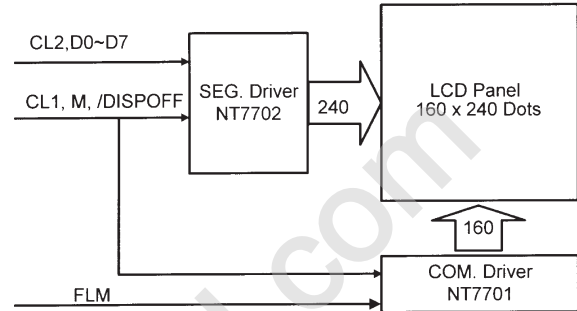
•160x240 dots 1/160 Duty

FEATURE

- 1.Construction : FSTN, Blue EL, and T/P.
- 2.Optional Touch Panel, Blue EL backlight.
- 3.Common driver is NT7701 and Segment driver is NT7702.
- 4.3.3V for driver LCD bias voltage is supplied by end user.
- 5.Extended temperature type.

www.lcdfriends.com
 020-33819057
<http://www.lcdfriends.com>

BLOCK DIAGRAM

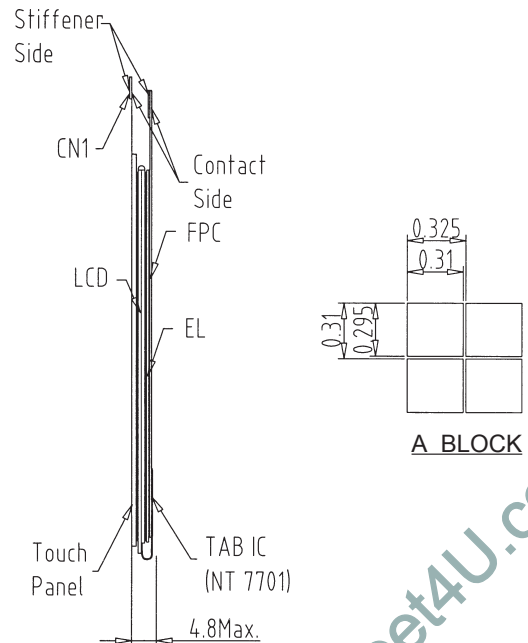
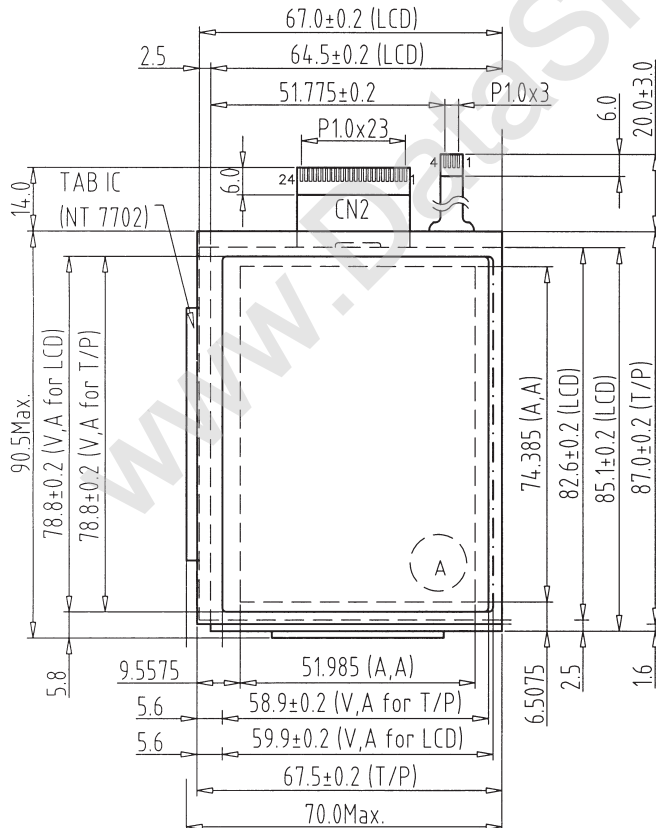


ELECTRICAL CHARACTERISTICS

Parameter	Symbol	Condition	Typ.Value	Unit.
LCD Driving Voltage	VEE-VSS	25°C	18.3	V
Logic Supply Current	IDD	VDD=5.0V	2	mA

INTERFACE

1	2	3	4	5	6	7	8	9	10	11	12
FLM	V1	V4	VDD	VEE	CL1	VSS	CL2	M	/DISPOFF	D0	D1
13	14	15	16	17	18	19	20	21	22	23	24
D2	D3	D4	D5	D6	D7	VSS	V2	V3	VSS	VEL1	VEL2



Connector

- CN1: Molex:52643-0490 AMP:487952-4
- CN1: Molex:52271-2490 AMP:1-487952-8